



SN-IPV8040EGAR-B

4MP IR Fixed Mini Dome Network Camera



Key Features

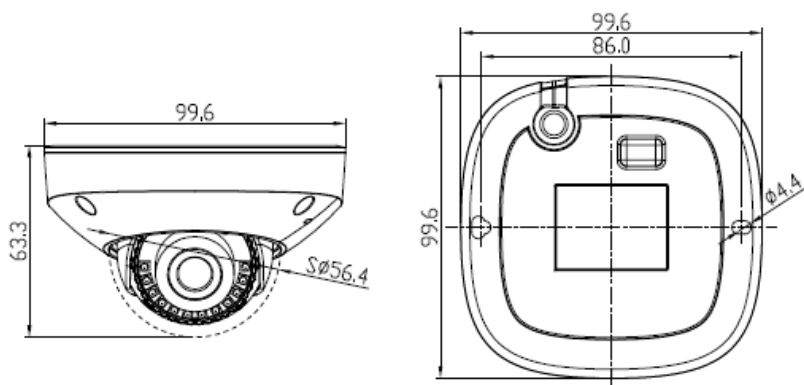
- 1/2.8" progressive scan CMOS
- Max. 4MP(2592 × 1520) @25/30 fps resolution
- 2.8 mm fixed lens (2.1 mm or 4 mm optional)
- True WDR, 3D DNR, ROI, HLC, BLC, Defog
- Support face, human, vehicle detection and capture
- Intelligent analytics: intrusion, single line crossing, double line crossing, loitering, wrong-way, people counting
- 1/1 audio in/out, 1/1 alarm in/out
- Built-in microphone and SD card slot
- Smart IR distance up to 15 m
- IP66

Specification

| Camera | | | | | |
|-----------------------------|---|--------------------|--------------------|----------------|----------------|
| Image Sensor | 1/2.8" Progressive Scan CMOS | | | | |
| Max. Resolution | 4MP (2592 × 1520) | | | | |
| Electronic Shutter | Auto/Manual, 1/5 to 1/20,000 s | | | | |
| Min. illumination | Color: 0.03 Lux @ (F1.6, AGC ON), B/W: 0 Lux @ (IR LED ON) | | | | |
| Day & Night | IR cut filter | | | | |
| Angle Adjustment | Pan: ±45°, Tilt: 0° to 72°, Rotation: 0° to 360° | | | | |
| Lens | | | | | |
| Lens Type | Fixed focus | | | | |
| Iris | Fixed Iris | | | | |
| Focal Length | 2.1mm | 2.8mm | 4mm | | |
| F Number | F1.8 | F2.0 | F1.6 | | |
| Angle of View | H: 125.8°, V: 79.2° | H: 94.4°, V: 53.5° | H: 80.2°, V: 43.1° | | |
| DORI | | | | | |
| DORI Distance | Lens | Detect | Observe | Recognize | Identify |
| | 2.8mm | 64 m (210 ft) | 25.6 m (84 ft) | 12.8 m (42 ft) | 6.4 m (21 ft) |
| | 4mm | 128 m (420 ft) | 51.2 m (168 ft) | 25.6 m (84 ft) | 12.8 m (42 ft) |
| Illuminator | | | | | |
| Illuminator Type | IR | | | | |
| Illumination Distance | Up to 15 m (49.2 ft) | | | | |
| Illumination On/Off Control | Auto/Manual | | | | |
| Video | | | | | |
| Streaming Capability | 3 Streams | | | | |
| Stream/Frame Rate | Stream1: 2592 × 1520, 2560 × 1440, 2304 × 1296, 1920 × 1080, 1280 × 720 @25/30 fps Stream2: D1, VGA, 640 × 360, CIF, QVGA @25/30 fps Stream3: VGA, CIF, QVGA @25/30 fps | | | | |
| Bit Rate Control | CBR/VBR | | | | |
| Bit Rate | Stream1: 200 kbps to 12 Mbps Stream2: 100 kbps to 6 Mbps Stream3: 100 kbps to 3 Mbps | | | | |
| Region of Interest | Off/On (8 areas, Rectangle) | | | | |
| Smart Encode | Support | | | | |
| Audio | | | | | |
| Compression | G.711, RAW_PCM | | | | |
| Bit Rate | 64Kbps (G.711), 128Kbps (RAW_PCM) | | | | |
| Image | | | | | |
| Image Adjustment | Brightness, Sharpness, Contrast, Saturation adjustable | | | | |
| Aisle Mode | Support | | | | |
| Mirror | Support | | | | |

| | |
|------------------------|---|
| White Balance | Auto/Manual |
| Day/Night Setting | Auto, Day, Night, Time |
| Smart IR | Support |
| Noise Reduction | 2D/3D DNR |
| Image Enhancement | HLC, BLC, Defog |
| Wide Dynamic Range | True WDR |
| S/N Ratio | 55dB |
| Motion Detection | Support |
| Privacy Masking | 4 areas |
| Smart Function | |
| Multi-Object Detection | Supports face, human, vehicle detection and capture |
| Intelligent Analytics | Intrusion, Single line crossing, Double line crossing, Loitering, Wrong-way Support alarm triggering by specified target types (human and vehicle) |
| People Counting | Support |
| Network | |
| Protocols | IPv4/IPv6, 802.1x, HTTP, HTTPS, TCP/IP, UDP/IP, RTSP, DHCP, NTP, RTCP/RTP, PPPoE, SMTP, DNS, UPnP, FTP, ARP, SNMP, TLS/SSL |
| Interoperability | ONVIF, SDK, CGI |
| Streaming Method | Multicast |
| Max. User Access | 10 Users |
| Web Viewer | <IE11, Chrome, Firefox, Microsoft Edge |
| Language | English, Chinese, Polish, Italian, Portuguese, Spanish, Russian, French, Czech, Hungarian. Default: English |
| Interface | |
| Network Interface | 1 Ethernet (10/100 Base-T) RJ-45 Connector |
| Built-in Microphone | Support |
| Audio Interface | 1ch Input, 1ch Output |
| Alarm Interface | 1ch Input, 1ch Output |
| Reset Button | Support |
| SD Card Slot | Built-in, up to 256GB |
| Electrical | |
| Power Supply | DC12V (-15% to +25%)/PoE (IEEE 802.3af) |
| Power Consumption | Max 5W |
| Operating Temperature | -40°C to 55°C (-40°F to 131°F) |
| Operating Humidity | Less than 90% RH |
| Ingress Protection | IP66 |
| Certifications | CE/FCC |
| Casing | Metal + Plastic |
| Dimensions | 99.6 × 99.6 × 63.3 mm (3.92 × 3.92 × 2.49 inch) |
| Net Weight | 0.38kg (0.84lb) |

Dimensions (mm)



Accessories

Optional:



SN-CBK647
Junction Box



SN-CBK204
Pendant Cap



SN-CBK402
Pendant Mount



SN-CBK501
Wall Mount



SN-CBK502
Wall Mount



SN-CBK101
Pole Mount



SN-CBK102
Corner Mount