



SN-IPR8140HDBN-Z

4MP IR Vari-focal Turret Network Camera



Key Features

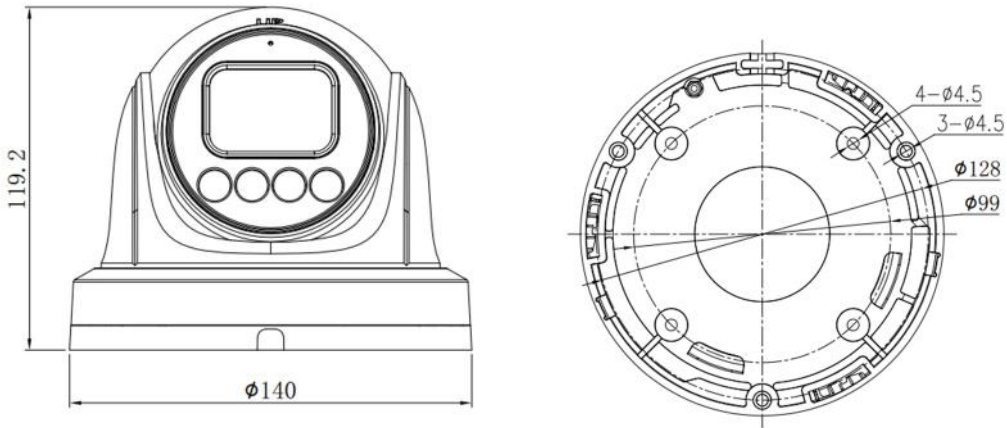
- 1/2.7" progressive scan CMOS
- Max. 5MP(2880×1620) @25fps resolution
- 2.7~13.5mm motorized lens
- DWDR, 3D DNR, ROI, HLC, BLC
- Support face, human and vehicle detection
- Smart events: intrusion, single line crossing, double line crossing, loitering, wrong way
- IR distance up to 40m
- Built-in microphone and SD card slot
- Supports 12VDC/PoE power supply
- IP66

Specification

Camera	
Image Sensor	1/2.7" Progressive Scan CMOS
Max. Resolution	4MP (2560×1440)
Electronic Shutter	Auto/Manual, 1/5 ~ 1/20,000s
Min. illumination	Color: 0.03 Lux @ (F1.2, AGC ON) , BW: 0 Lux @ (IR LED ON)
Day & Night	IR cut filter
IR Distance	Up to 40 m (131.2 ft)
IR On/Off Control	Auto/Manual
Angle Adjustment	Pan: 0° ~ 355°, Tilt: 0° ~ 80°, Rotation: 0° ~ 360°
Lens	
Lens Type	Motorized lens
Iris Type	Fixed Iris
Focal Length	2.7 ~ 13.5 mm
Aperture	F1.6
Field of View	H: 95.8° ~ 30°, V: 52.4° ~ 16.9°
Video	
Streaming Capability	3 Streams
Stream/Frame Rate	Stream1: 2560×1440, 2304×1296, 1920×1080, 1280×720 @ 25fps Stream2: D1, VGA, 640×360, CIF, QVGA @ 25fps Stream3: VGA, CIF, QVGA @25fps
Bit Rate Control	CBR/VBR
Bit Rate	Stream1: 100kbps~6Mbps Stream2: 100kbps~6Mbps Stream3: 100kbps~3Mbps
Region of Interest	Off/On (8 Zone, Rectangle)
Image	
Image Adjustment	Brightness, Sharpness, Contrast, Saturation
Aisle Mode	Support
Mirror	Support
White Balance	Auto/Manual
Day/Night Setting	Auto, Day, Night, Time
Smart IR	Support
Noise Reduction	2D/3D DNR
Image Enhancement	HLC, BLC
Wide Dynamic Range	DWDR
S/N Ratio	55dB
Motion Detection	Support
Privacy Masking	Support

Smart Function	
Multi-Object Detection	Supports face, human and vehicle detection
Intelligent Analysis	Intrusion, Single line crossing, Double line crossing, Loitering, Wrong way Support alarm triggering by specified target types (human and vehicle)
Network	
Protocols	IPv4/IPv6, 802.1x, HTTP, HTTPS, TCP/IP, UDP/IP, RTSP, DHCP, NTP, RTP/RTCP, PPPoE, SMTP, DNS, UPnP, FTP, ARP, SNMP, TLS/SSL
Interface Protocol	ONVIF, SDK, CGI
Streaming Method	Unicast
Max. User Access	10 Users
Web Viewer	<IE11, Chrome, Firefox, Microsoft Edge
Language	English, Chinese, Polish, Italian, Portuguese, Spanish, Russian, French, Czech, Hungarian. Default: English
Interface	
Network Interface	1 Ethernet (10/100 Base-T) RJ-45 Connector
Built-in Microphone	Yes
Reset Button	Support
SD Card Slot	Built-in, up to 256GB
Electrical	
Power Supply	DC12V (-15%~+25%)/POE (IEEE 802.3af)
Power Consumption	Max 6.5 W
Operating Temperature	-30°C ~ 55°C (-22°F ~ 131°F)
Operating Humidity	Less than 90% RH
Ingress Protection	IP66
Certifications	CE/FCC
Casing	Metal + Plastic
Dimensions	φ 140×119.2 mm (5.51×4.69 inch)
Net Weight	0.85 kg (1.87 lb)

Dimensions (mm)



Accessories

Optional:



SN-CBK645D
Junction Box



SN-CBK206
Pendant Cap



SN-CBK402
Pendant Mount



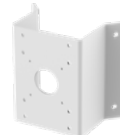
SN-CBK501
Wall Mount



SN-CBK502
Wall Mount



SN-CBK101
Pole Mount



SN-CBK102
Corner Mount